

Canard hanger bar

Servo tab cords.

Elevator cord.

Canard Foreplane & Controls.

Servo tabs act as ailerons to bank whole canard.

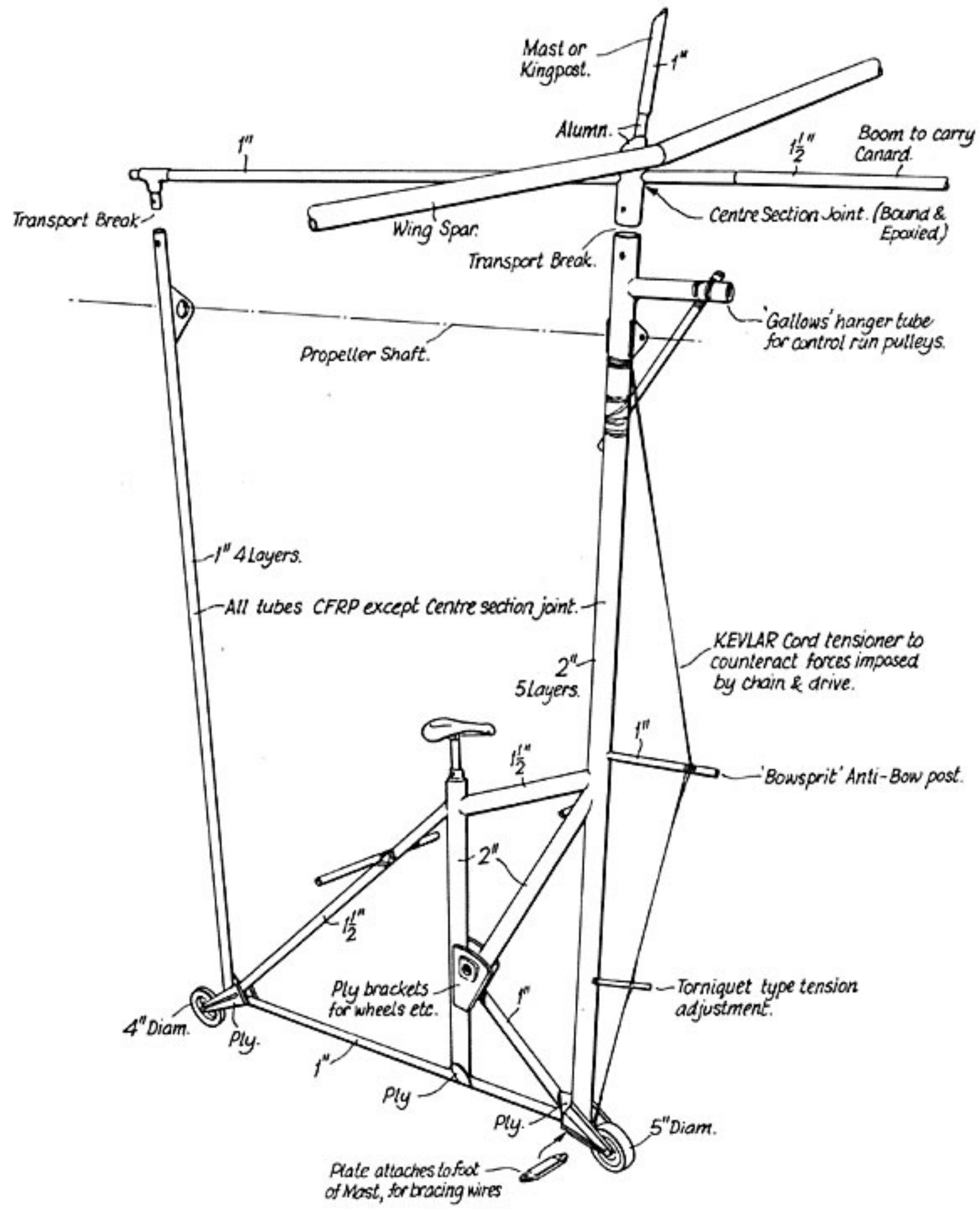
Elevator cord.

Tab from Exp polysty.

Canard Control runs.

Metallised MYLAR Ribbons to give visible reference to pilot.

CF Tape stiffeners.





Drive Train Arrangement
(Superimpose on Frame drg.)

'Slack' wheel 40T.
Tensioned by spring.

Protective guard

52T.
Conventional
Cycle chainset &
Pedals with Toeclips.

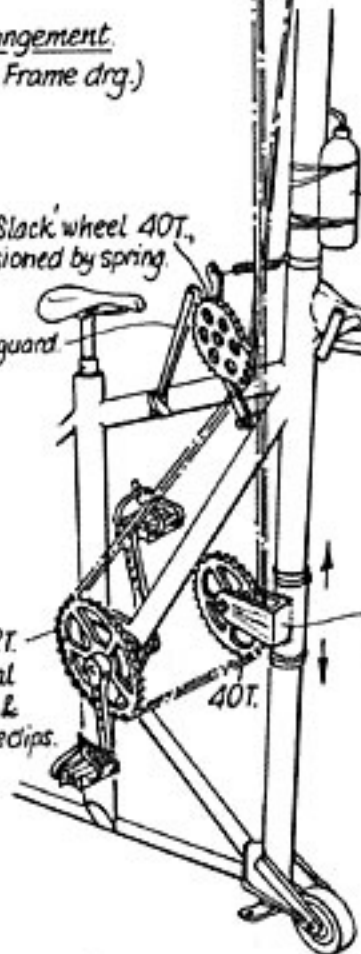
40T.

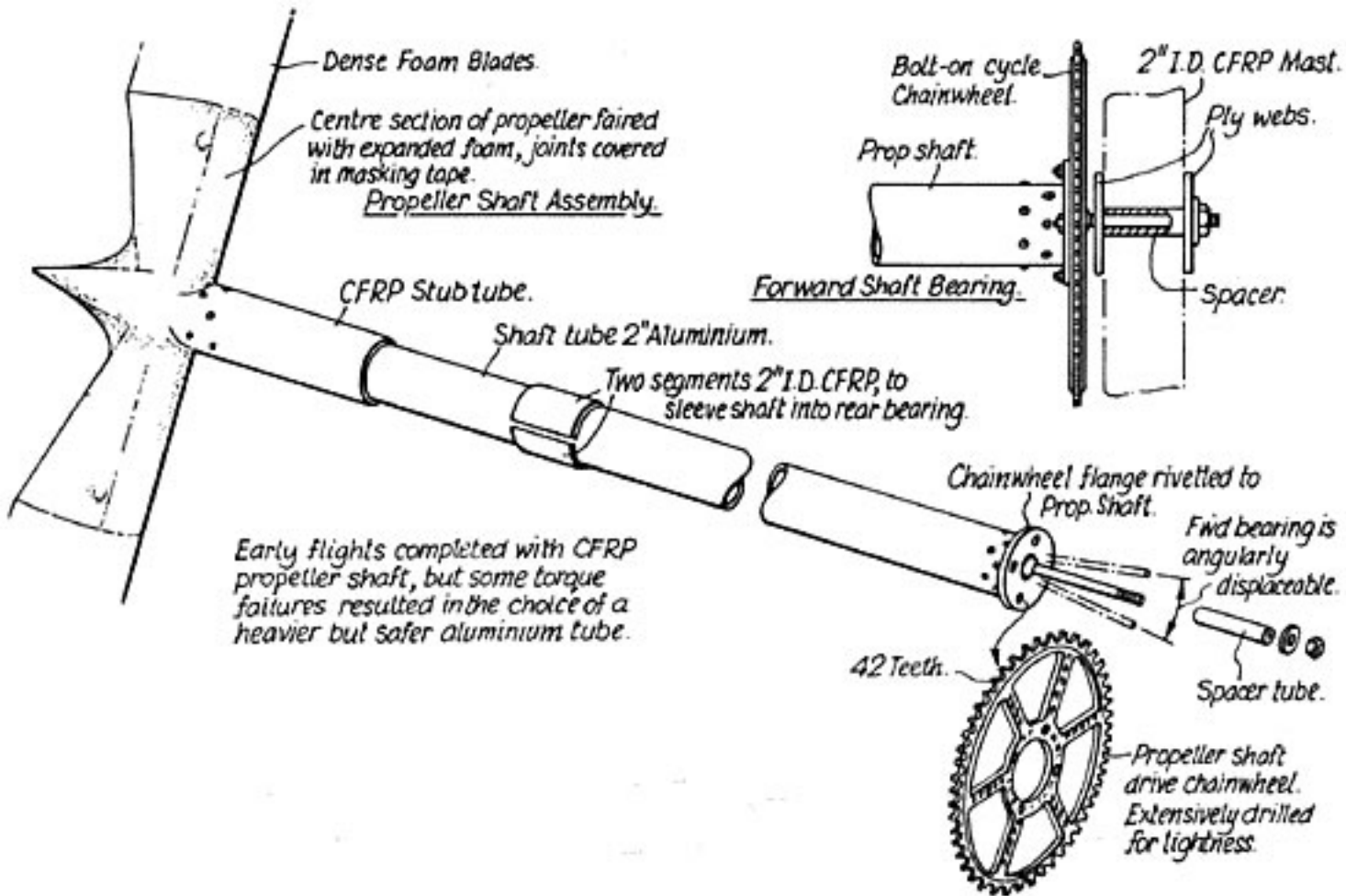
2 Litre Water Bottle.

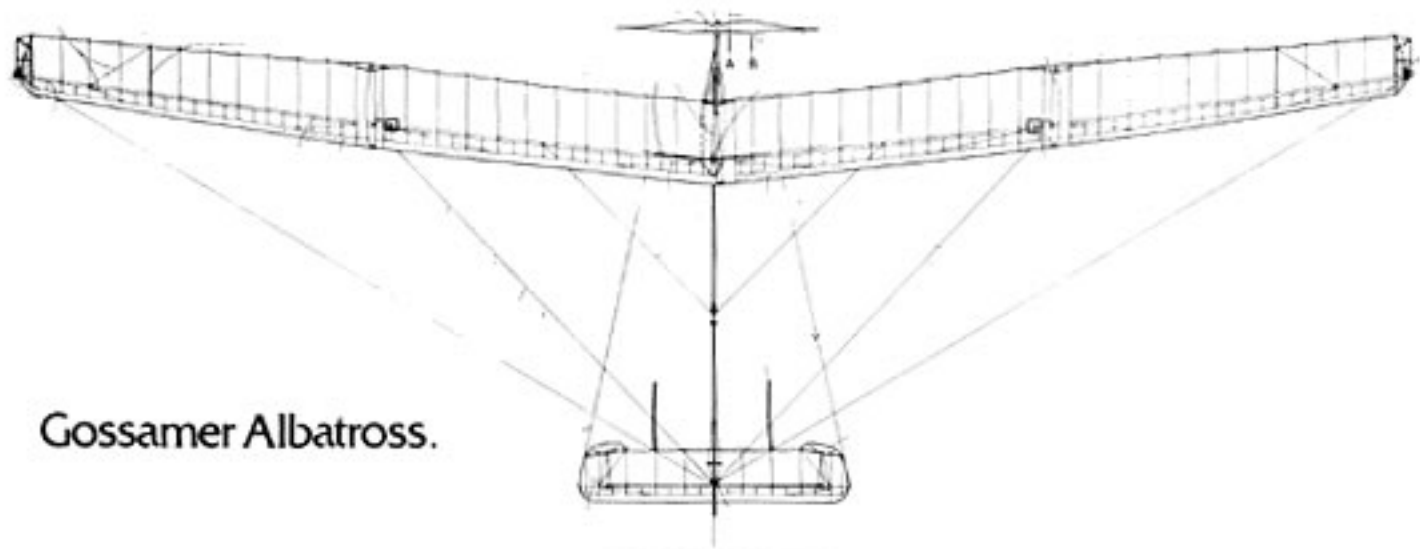
Short tube to support
Flying controls.

Bowsprit.

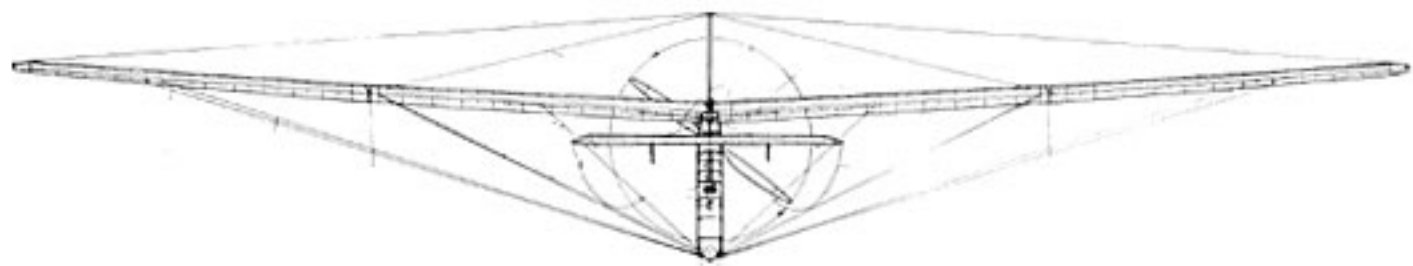
This wheel tensions the
chain run by sliding up
& down the mast. Clamped
by Hose clips. Bearing flanges
are plywood, outboard of
the centreline to accommodate
the chain run & twist.

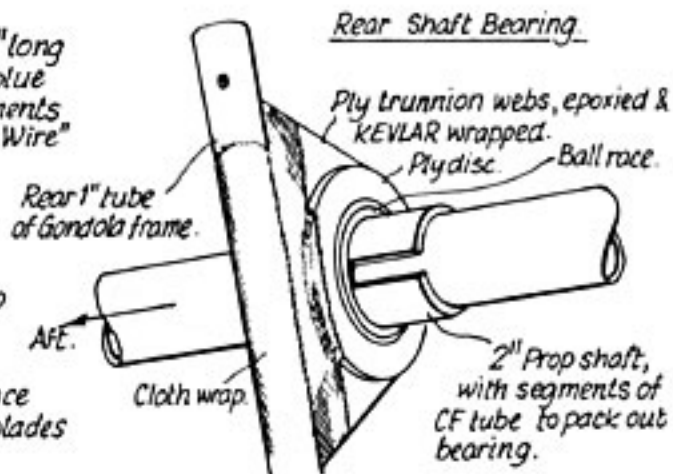
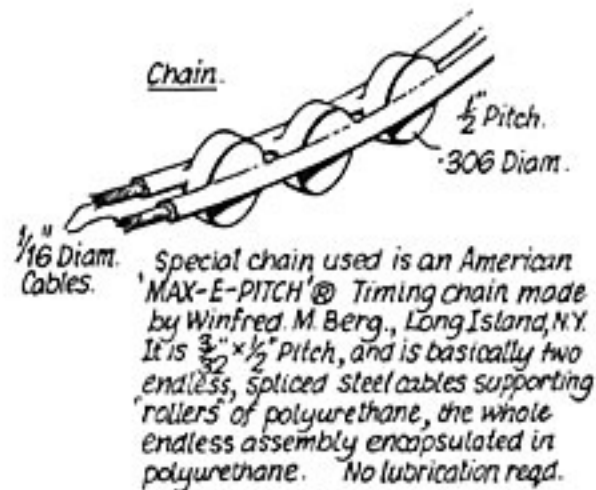
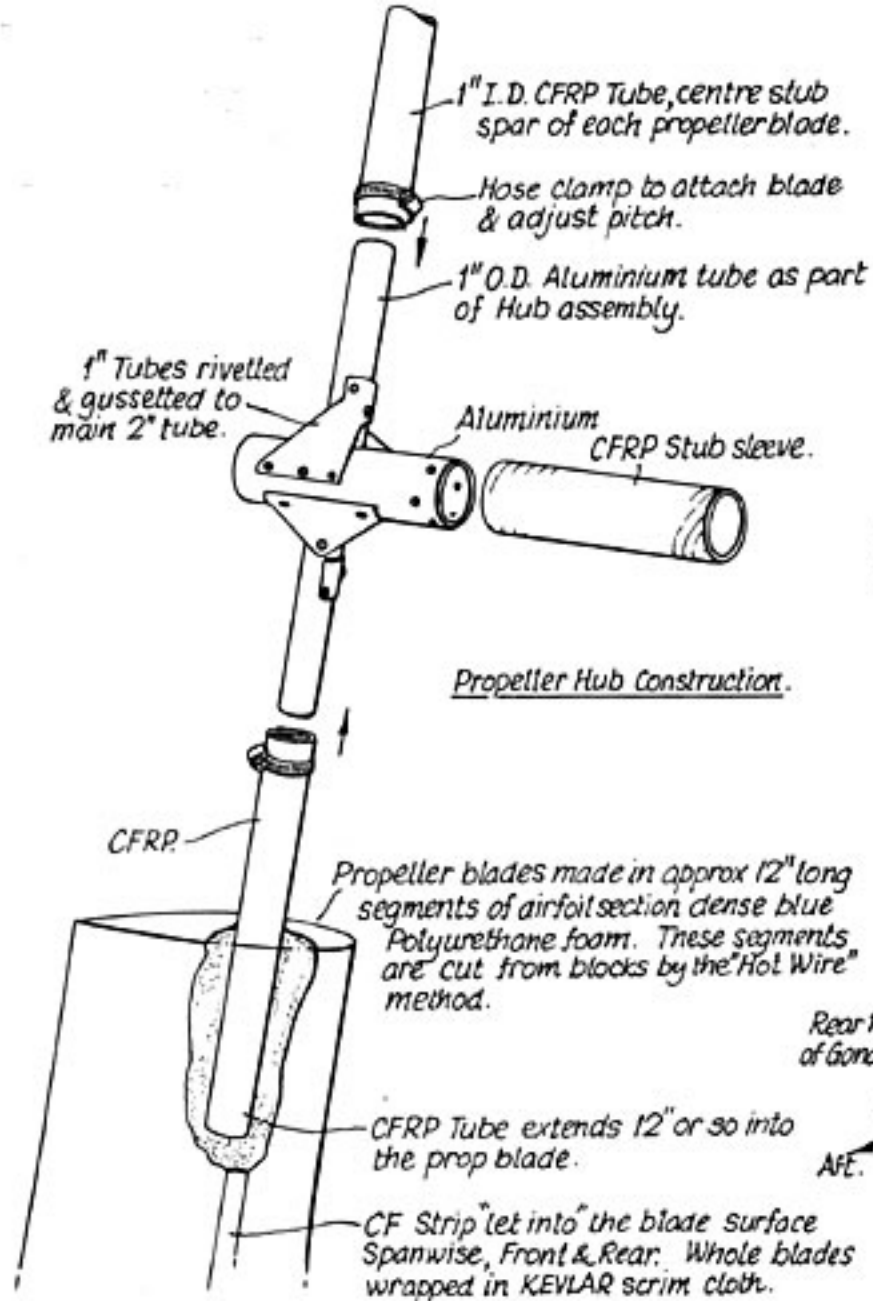


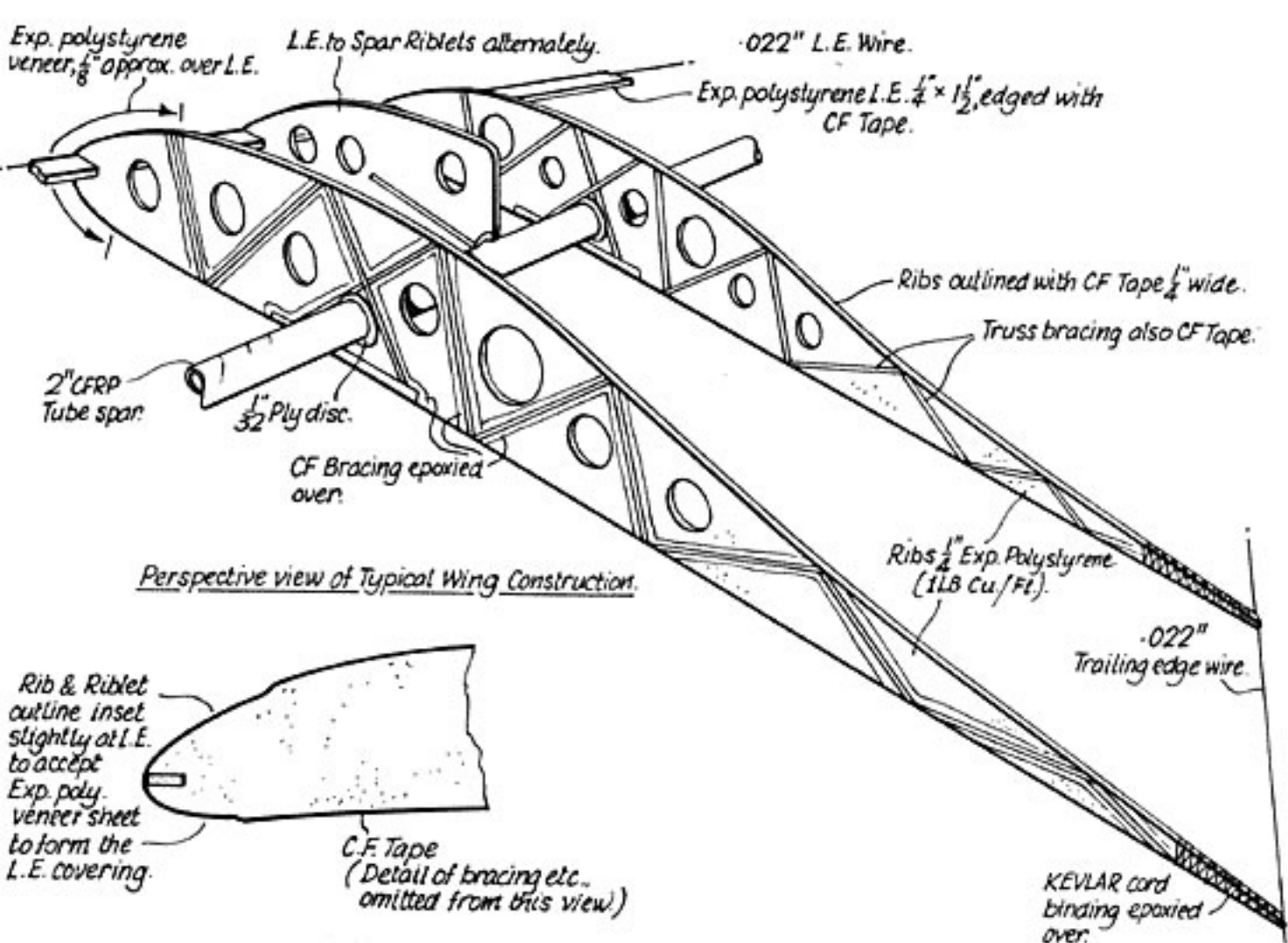




Gossamer Albatross.





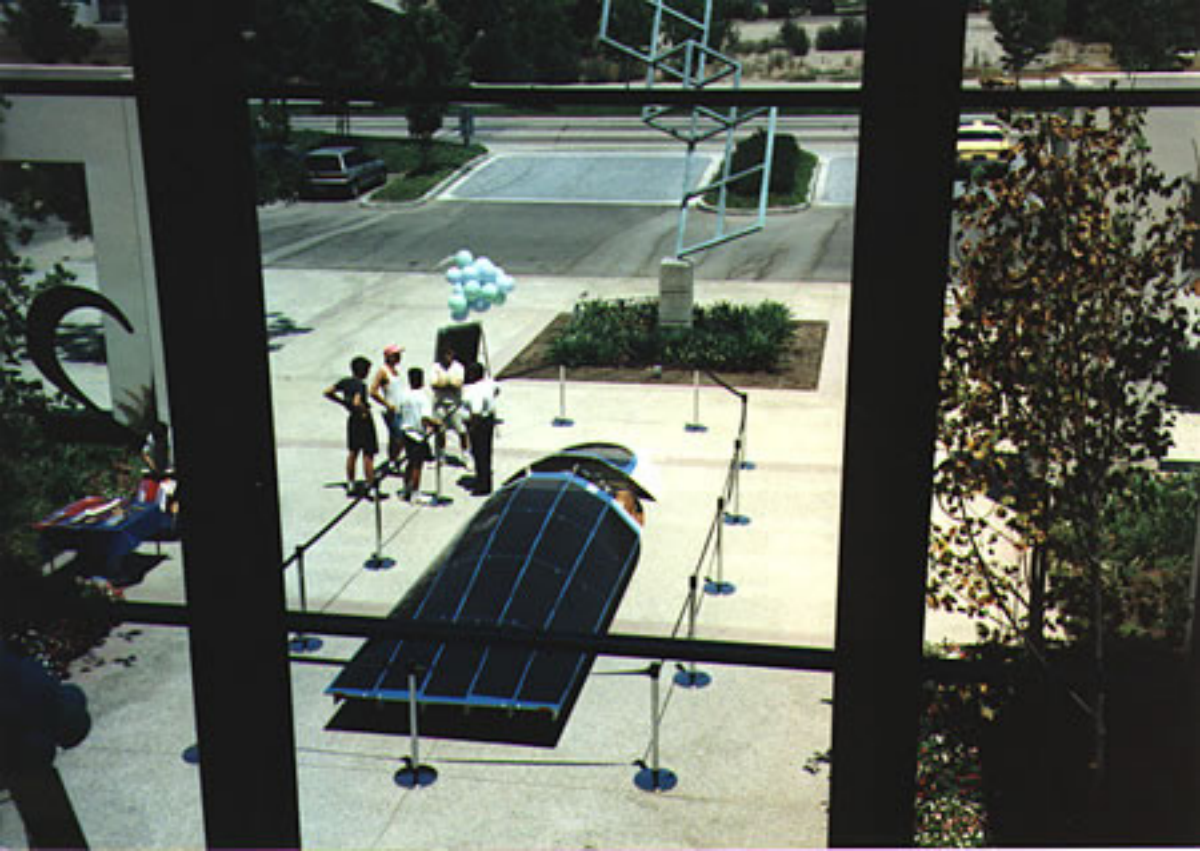




















STOP

OU P
GA

ALBATROSS II



